

Application Technology

For Battery Systems

The production of the battery – the heart of the electric vehicle – is gaining massively in importance with the worldwide growth of e-vehicles. Dürr offers a complete solution in the application technology for e-mobility. A modular system for the application of glues, sealants and fillers in battery production gives vehicle manufacturers high quality, flexibility and adaptability for various viscosities and mixing ratios.

A particular manufacturing challenge involves protecting the battery component against overheating during charging. To this end, Dürr has developed innovative processes in the area of thermal management for the casting of thermally conductive materials.

HIGHLIGHTS



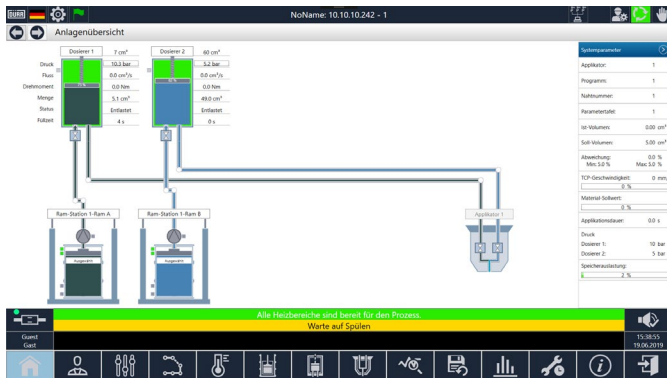
Extensive portfolio for solutions in almost every area of application.

The system's modular structure enables individual components to be replaced to become the system adapted to changed process requirements.

Variably configurable from the processing of small quantities in the laboratory to prototype construction and pre-series, to large-volume processing in the course of series production.

Technical Data

Application Technology for Battery Systems



EcoHVC – APPLICATION CONTROL

Technical Data

Modular process software for all applications

Online data recorder with up to 15 signals

Maintenance assistant and trend detection

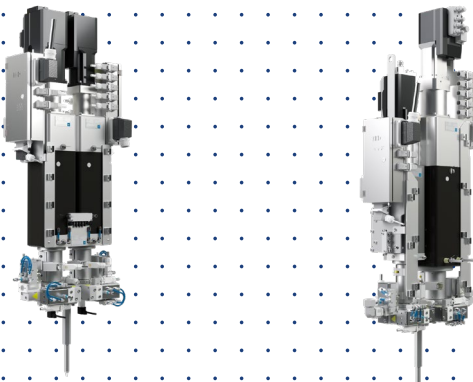
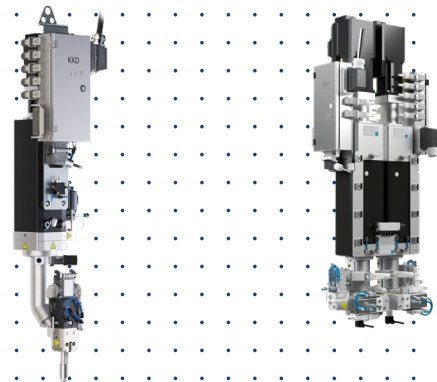
EcoPump VP FOR HIGH ABRASIVE FLUIDS

Technical Data

Container 20 – 200 l

Max. volumetric flow rate 500 cm³/DS

Max. pressure 360 bar



EcoShot Meter FOR 1-COMPONENT

Technical Data

Sizes (cm³) 150 / 300 / 600

Versions Single/Tandem

Volumetric flow rate (cm³/s) 0.1 – 50

Weights Single (kg) 40 / 85 / 140

EcoShot Meter FOR 2-COMPONENT

Technical Data

Sizes (cm³) 150 / 300 / 600 / 150 – 600

Combination components Variable combinations e.g. 150:150 or 150:600

Volumetric flow rate (cm³/s) 0.1 – 50

Weights (kg) 90 / 170 / 250 / 180